

Orvia

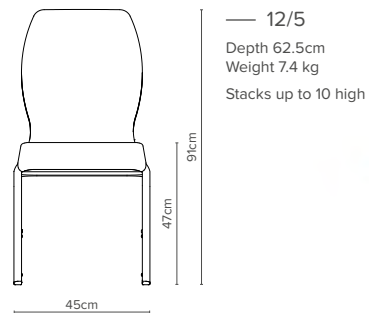
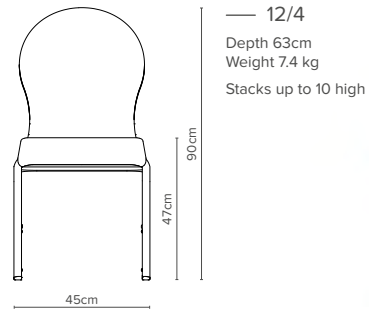
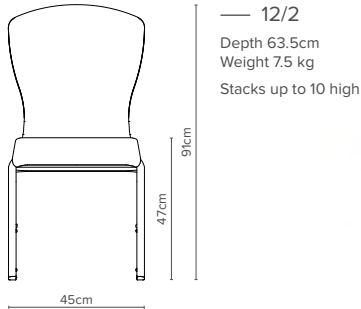
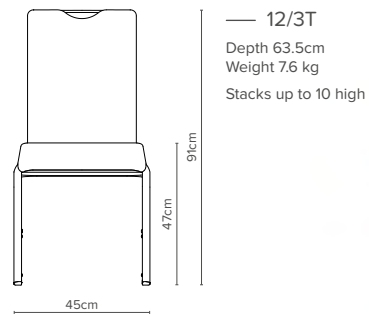
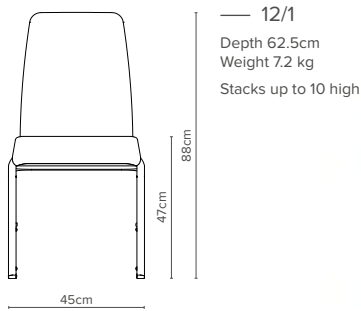


Image courtesy of JW Marriot Marquis – Emirates Ballroom – UAE

The benchmark in contemporary banquet and conference chairs

Designed by Peter Roth, Orvia has achieved the FIRA Ergonomics Excellence Award. Combining the latest innovative design with a unique, asymmetric aluminium frame, the Orvia possesses a refined elegance, whilst retaining the inherent strength for which Burgess chairs are renowned, the world over.





— Key Features

- ✦ 5 contemporary back shapes
- ✦ The flexing and contoured upholstered back with lumbar support creates the most comfortable solution for conference and dining
- ✦ The ergonomically designed seat cushion is multi-contoured providing greater support and a generous seating platform
- ✦ Unique asymmetrical aluminium extrusion creates an illusion of slender elegance
- ✦ Ergonomics Excellence Award

— Options

- ✦ Discreet top rail available on all models (suffix T)
- ✦ Retractable linking with optional numbering
- ✦ Elegant arms make a functional and stylish feature (suffix A)
- ✦ Detachable rotary tablet
- ✦ Armchair option available for all models



Optional arms (Add 14cms to width and 1kg to weight)



BCFA
member



FIRA

Strength test to
BS EN 15373:2007 level 3
Stability Test to
BS EN 1022:2005
Report No: TSSEF41979

Burgess Furniture Ltd

Hanworth Trading Estate, Feltham, Middlesex TW13 6EH UK

Telephone +44 (0)20 8894 9231

Fax +44 (0)20 8894 2943

Email sales@burgessfurniture.com

Web www.burgessfurniture.com

Follow us on:



Please recycle.

Issue date: 2019